

4000 & 8000 SERIES | 4160, 4190, 4220, 8290, 8330

JCB

FASTRAC iCON



RATED POWER

167-335hp (125-250kW)

TORQUE

825-1,450Nm

REAR LIFT CAPACITY

7,000-10,000kg



FASTRAC iCONFIGURE

A bespoke operator experience



FASTRAC iCONNECT

Precision technology at your fingertips



FASTRAC iCONTROL

Redefining your driving experience

FASTRAC iCON PRODUCTIVITY.

Building on renowned productivity, the introduction of a fully configurable operator environment, integrated precision technology and superior machine control, raises the bar even higher.



ENGINEERED FOR EFFICIENCY

The new configurable control system and ISOBUS compatibility makes changing between implements even easier.

FASTRAC iCON VERSATILITY.

Front and rear hitches, PTOs and rear deck allow the attachment of many implements. 4-wheel steer with selectable steering modes on the 4000 Series adds further versatility.



MORE THAN MEETS THE EYE

The combination of rear deck and advanced suspension allows the machine to be lowered for fitting attachments easily.

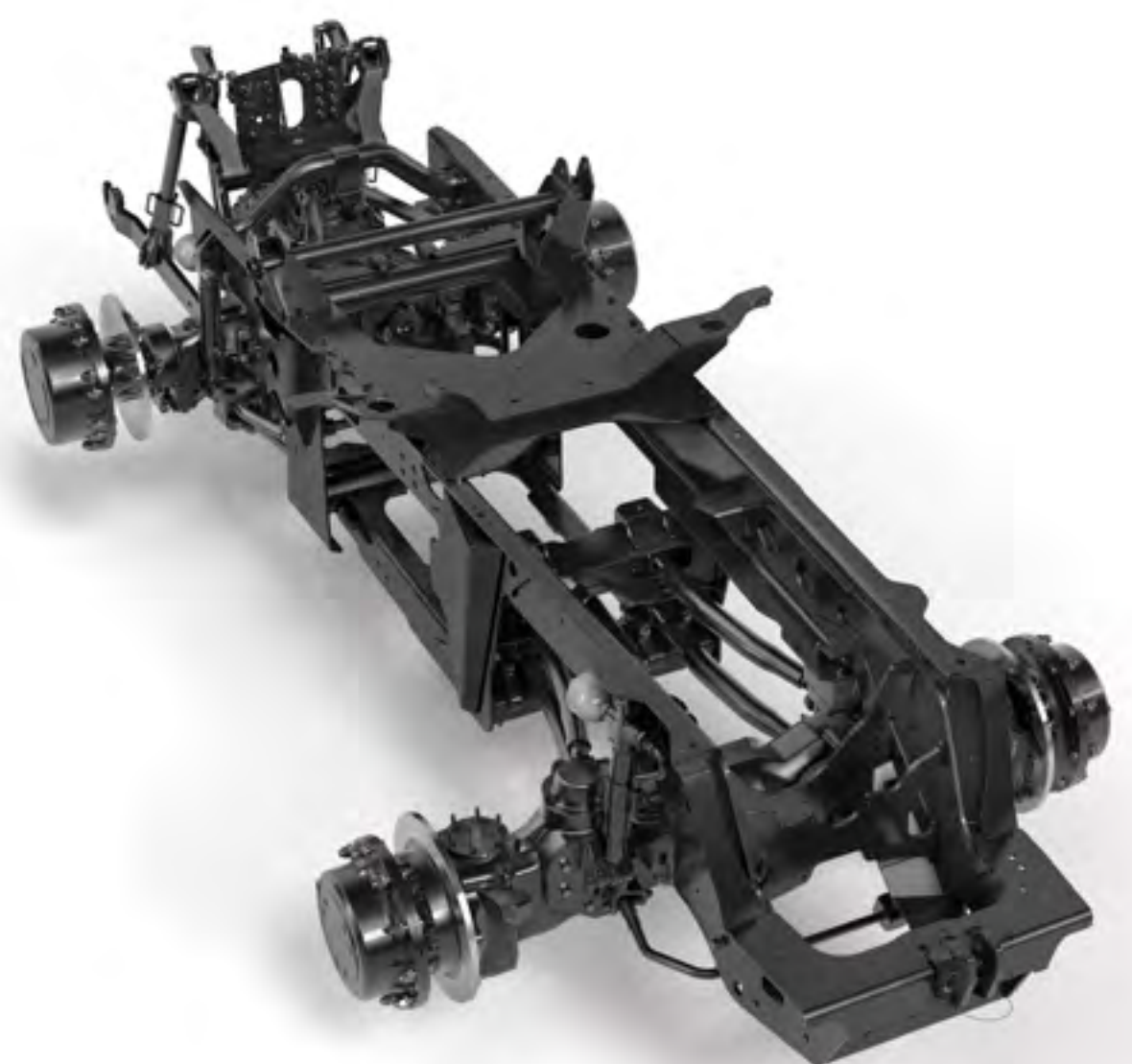
FASTRAC iCON COMFORT.

The Fastrac's iconic ride comfort is delivered by a combination of advanced suspension and mid-mounted cab. An adjustable screen, seat, armrest and configurable controls provide extra comfort.



YOUR NEW FARM OFFICE

Enjoy greater comfort, with new heated and ventilated seat, plus climate control, with solar load monitoring.



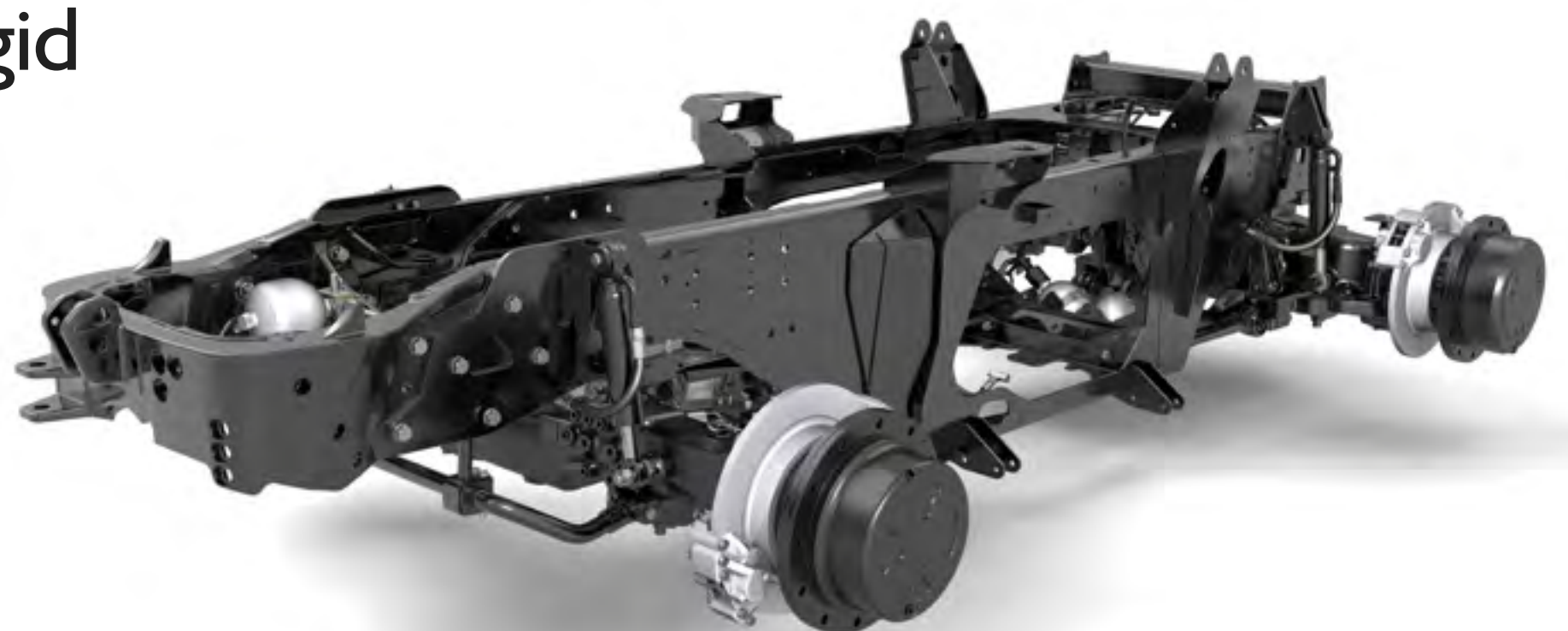
FASTRAC iCON SAFETY.

All-round disc brakes deliver greater stopping power, while ABS as standard provides exceptional control when braking. The anti-roll bars and advanced suspension system offer improved stability at high speed.



PEACE OF MIND

Dual-line steering*, twin-caliper brakes and a full-length rigid chassis provide high levels of safety.



*8000 series only

FASTRAC iCON SPEED.

Get ahead of the competition with class-leading speeds on road and infield, with a maximum speed of up to 70kph.



POWERFUL DELIVERY

The 6-cylinder engine and CVT transmission, managed by the Smart Transmission Control, delivers up to 335hp and 1450Nm torque.

4000 & 8000 SERIES | 4160, 4190, 4220, 8290, 8330



SPECIFICATION.

MODEL		4160	4190	4220	8290	8330
Rated power	hp (kW)	167 (125)	189 (141)	218 (163)	281 (210)	335 (250)
Max power	hp (kW)	178 (133)	210 (157)	235 (175)	306 (228)	348 (260)
Torque	Nm	825	945	1000	1320	1450
Rear 3-point linkage lift capacity	kg	7,000 or 8,000 option available			10,000	
Front 3-point linkage lift capacity (opt)	kg	3500				
Max hydraulic flow	l/min	195			178	



STANDARD FEATURES.

- Configurable armrest
- 12" HD touch screen
- Bluetooth connectivity
- Automatic climate control
- 60° seat rotation
- All-round ABS disc brakes
- Advanced suspension
- 4WD & diff-lock
- Rear deck
- Full-size instructor's seat

The JCB logo is displayed in the top right corner of the image. It consists of the letters 'JCB' in a bold, white, sans-serif font, set against a black rectangular background. This black background is itself set within a larger yellow rectangular border.

FASTRAC ICON

FIRST DRIVE REVIEW

“The new functions that we’re seeing in the cab will definitely improve productivity”

ANDREW WAGSTAFFE | OWNER, AHW FARMS

FIND OUT MORE

REQUEST A QUOTE

The JCB logo is displayed in the bottom center of the page. It is identical to the logo in the top right corner, featuring the letters 'JCB' in white on a black background, all within a yellow border.

www.jcb.com

