

**3CX COMPACT** | 3CX PLUS / 3CX PRO



# SITE MASTER

THE ONE MACHINE FLEET



**STAGE V**

GROSS POWER  
**55kW (74hp)**

MAX DIG DEPTH  
**4.36m**

WEIGHT  
**6,070kg**



# MORE COMPACT.

The 3CX Compact range has all the benefits of an excavator loader on a scaled down platform, making it perfect for urban working and confined construction sites.



## COMPACT DIMENSIONS

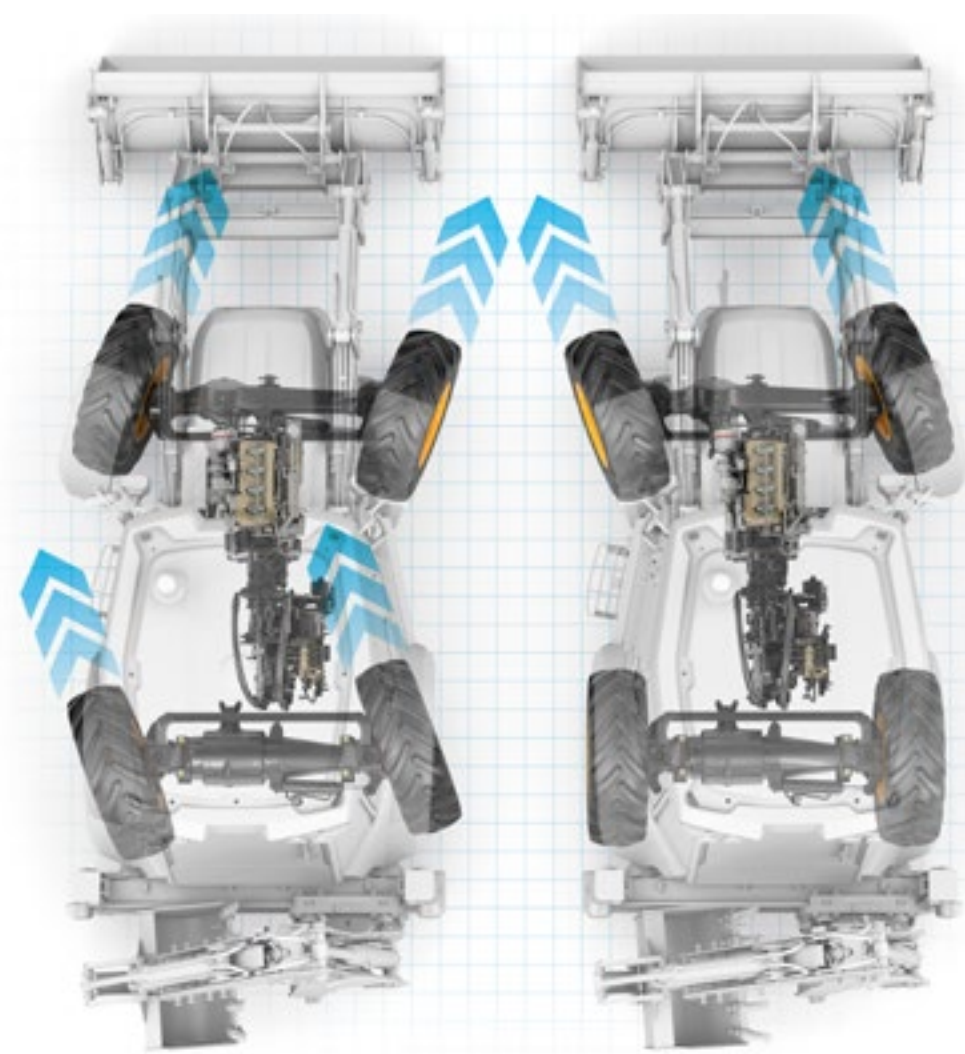
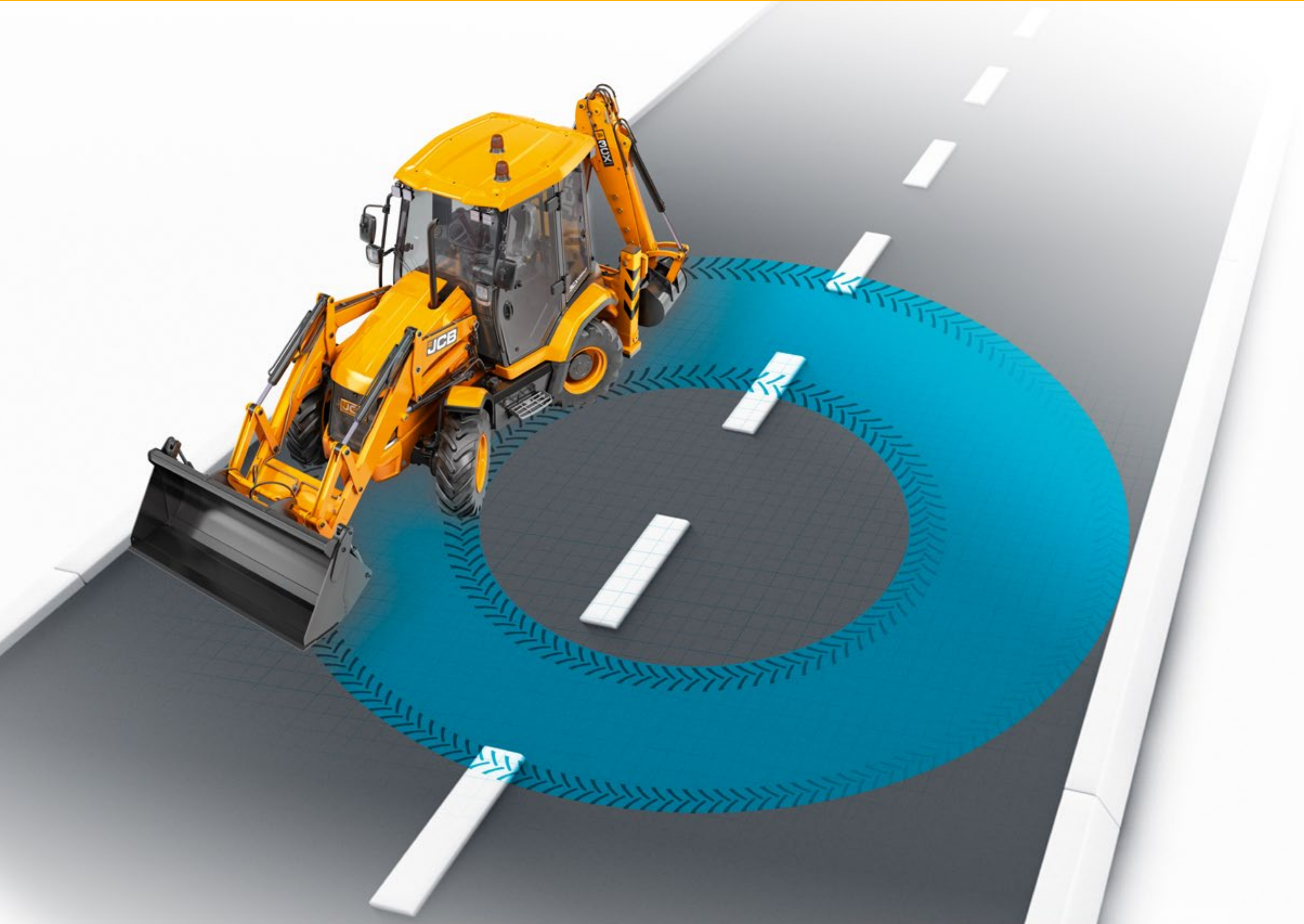
35% smaller, 50cm narrower and 25% lower than a standard 3CX. A low height makes it perfect for working in low level buildings and basements.





# MORE MOBILITY & MANOEUVRABILITY.

The 3CX Compact's tight turning circle and switchable steering modes allow it to work in a single carriageway with minimum disruption and maximum productivity.



## MORE FLEXIBILITY

Auto switchable 2WS/4WS allows the operator to switch between roading and site modes with ease.



# MORE COMFORT.

A spacious cab with excavator controls provides optimum ease of use and controllability. It also helps to improve the seating position, ensuring maximum operator comfort.



## MAXIMUM EFFICIENCY

SmoothRide System increases operator comfort both on and off-road, as well as improving load retention. Powerslide option enables effortless repositioning of the boom, saving time and preventing damage.





# MORE VERSATILE.

The 3CX Compact can pick up a wide range of skid steer loader attachments. Bi-directional pipework and a handheld tool circuit provide even greater versatility.



## **GREATER AUXILLARY FLOW**

Tackle jobs using various attachments. With 120 lpm auxiliary flow, attachments such as trenchers can now be utilised.



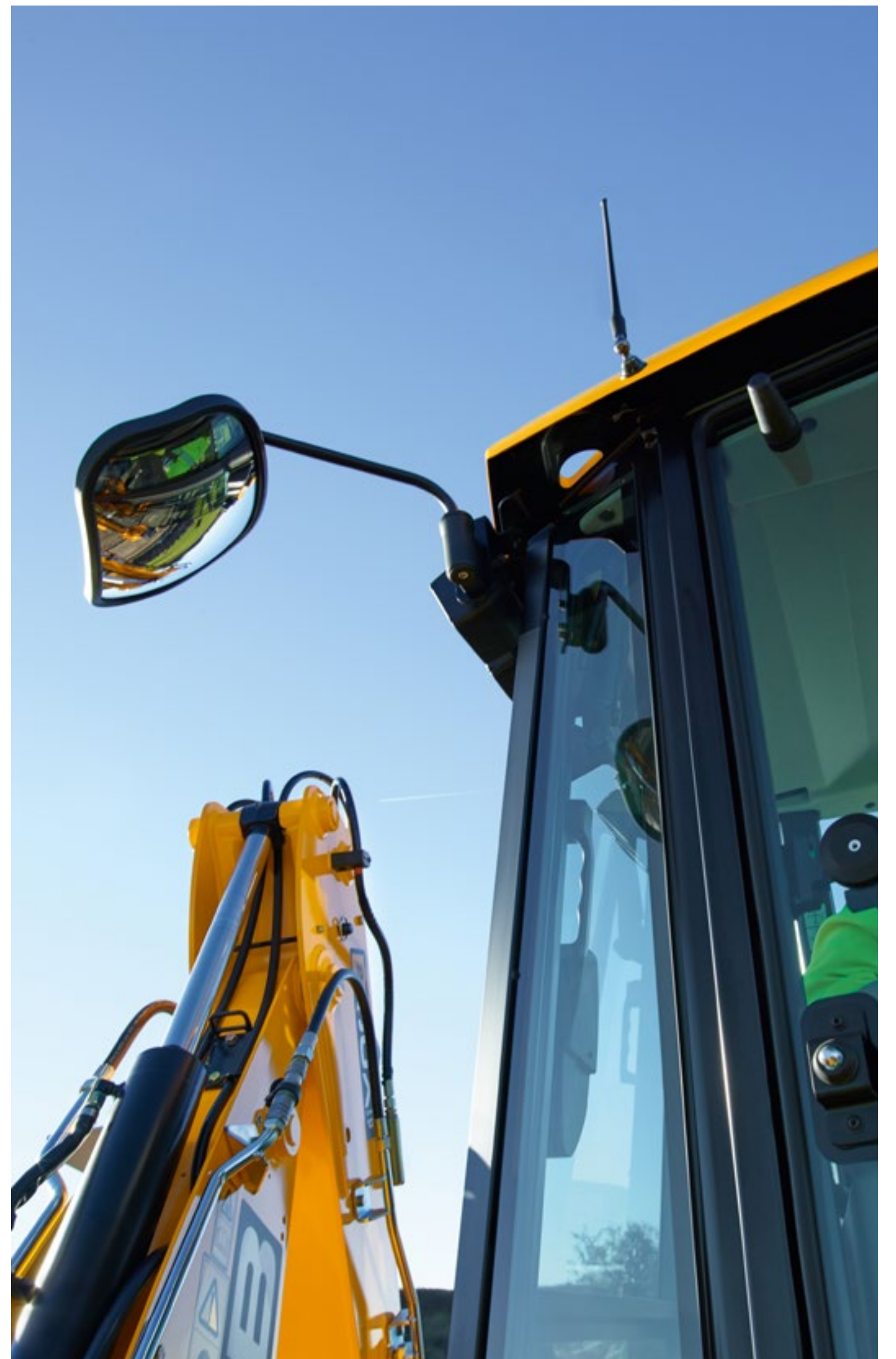
# MORE **SAFE & SECURE.**

The 3CX compact comes with many new and improved safety features as standard to keep the operator, bystanders and the working environment safer than ever.



## **GREATER VISIBILITY**

360° visibility from the cab ensures the operator stays in control of the working area. Optional Fish Eye mirror provides full visibility to all rear attachments and blindspots.







## **3CX COMPACT**

A 40kph transmission, piston pump hydraulics and servo excavator controls, make the 3CX Compact the ideal machine for working in areas that larger backhoes can't access.

## **3CX COMPACT PLUS**

Providing increased control and precision, the 3CX Compact PLUS offers Vari-Speed, 70 lpm constant flow and a single loader lever with proportional Auxiliary Control.



## **3CX COMPACT PRO**

As the flagship machine of the range, the 3CX Compact PRO introduces true SSL capability with its 7-way multifunction lever, Vari Speed PRO and Hi Flow up to 120 lpm.



# 3CX COMPACT | 3CX PLUS / 3CX PRO



## SPECIFICATION.

MODEL	3CXC	3CXC PLUS	3CXC PRO
Engine	55kW	55kW	55kW
Transmission	HydroStatic	HydroStatic + Vari Speed	HydroStatic + Vari Speed PRO
Operating weight	6,070kg	6,070kg	6,070kg
Loader lever	Twin	Single	7-way multi function
Front aux flow	70 lpm	70 lpm + constant flow	120 lpm + constant flow



## STANDARD FEATURES.

- Auto switchable 2WS/4WS
- 6 LED lights
- Air suspension seat
- Servo controls with switchable ISO/SAE
- SRS - Smooth Ride System
- Auto stop
- 5.8m turning circle
- Extending dipper





# THE ULTIMATE TOOL CARRIER

**REQUEST A QUOTE**

 **JCB**

[www.jcb.com](http://www.jcb.com)

